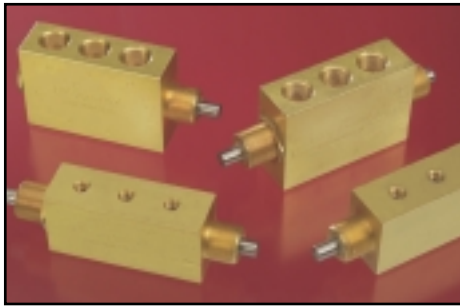


4-WAY FULLY-PORTED STEM VALVES

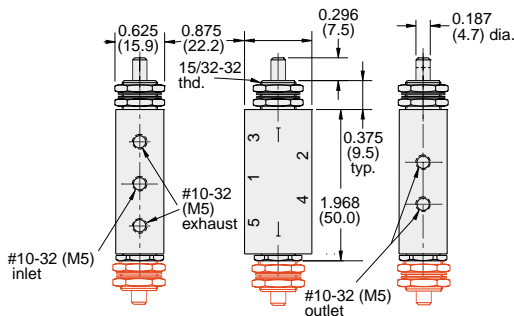
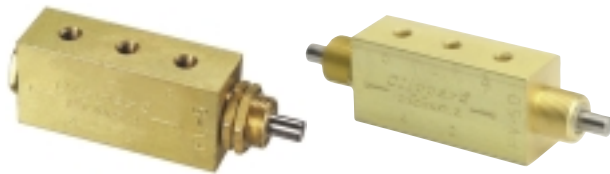


4-WAY FULLY-PORTED STEM VALVES

Four-way fully-ported valves have two inlets,

two outlets and one exhaust port. When the stem is in one position air flows from the #1 inlet to the #1 outlet. The #2 inlet is blocked and the #2 outlet is exhausted. Moving the stem to the opposite position opens the #2 inlet to the #2 outlet while blocking the #1 inlet and opening the #1 outlet to the exhaust. This may be defined as two 3-way valves, one normally closed and one normally open operating simultaneously. 4-way fully ported stem valves may either be spring return or double acting. A double acting stem must be moved from one position to the other, a spring return stem will move to the opposite position when released.

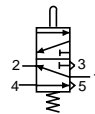
4-Way Fully-Ported Valves



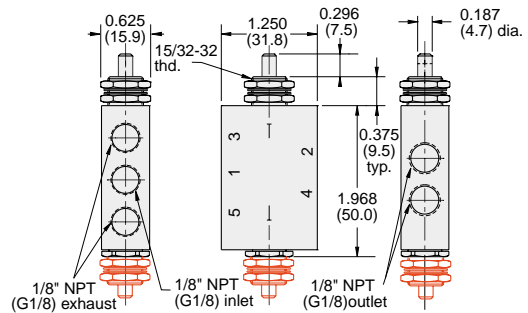
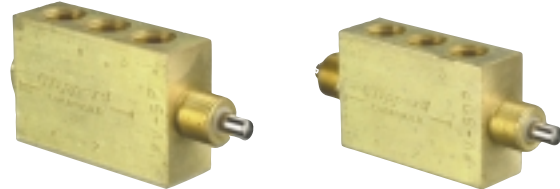
Medium: Air, Water or Oil

Air Flow: 6.0 SCFM @ 50 psig; 10 SCFM @ 100 psig;
240 l/min @ 6 bar

Force For Full Stem Travel: FV-5 & FV-5-M5 - 4 1/2 lb. nominal;
FV-5D & FV-5D-M5 - 1 1/2 lb. nominal



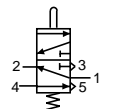
4-Way Fully-Ported Valves



Medium: Air, Water or Oil

Air Flow: 6.5 SCFM @ 50 psig; 10.5 SCFM @ 100 psig;
250 l/min @ 6 bar

Force For Full Stem Travel: FV-5P & FV-5-MG - 4 1/2 lb. nominal;
FV-5DP & FV-5D-MG - 1 1/2 lb. nominal



Part No. Description

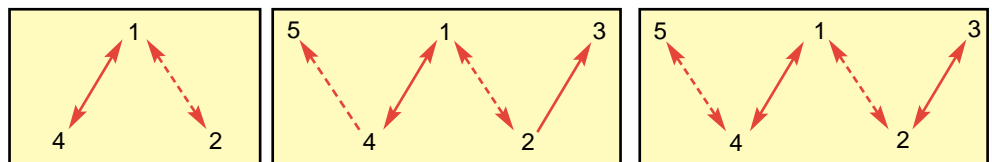
- FV-5 Plunger Actuated Spring Return Valve, #10-32
- FV-5-M5 Plunger Actuated Spring Return Valve, M5
- FV-5D 2 Position Double Plunger Valve, #10-32
- FV-5D-M5 2 Position Double Plunger Valve, M5

Part No. Description

- FV-5P Plunger Actuated Spring Return Valve, 1/8" NPT
- FV-5-MG Plunger Actuated Spring Return Valve, G1/8
- FV-5DP 2 Position Double Plunger Valve, 1/8" NPT
- FV-5D-MG 2 Position Double Plunger Valve, G1/8

Flow Paths for "FTV & FV" Series

Solid lines indicate flow paths with toggle or stem in one direction. Dotted lines indicate flow paths when the toggle or stem are shifted.



Note: Includes MTV-4, MTV-5, MFTV-4 & MJTV-5